

1

2

3

4

5

6

A

B

C

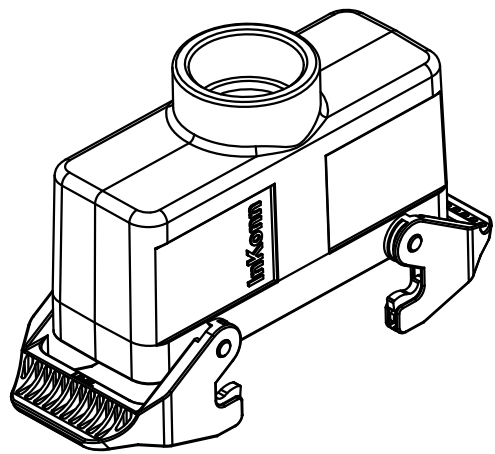
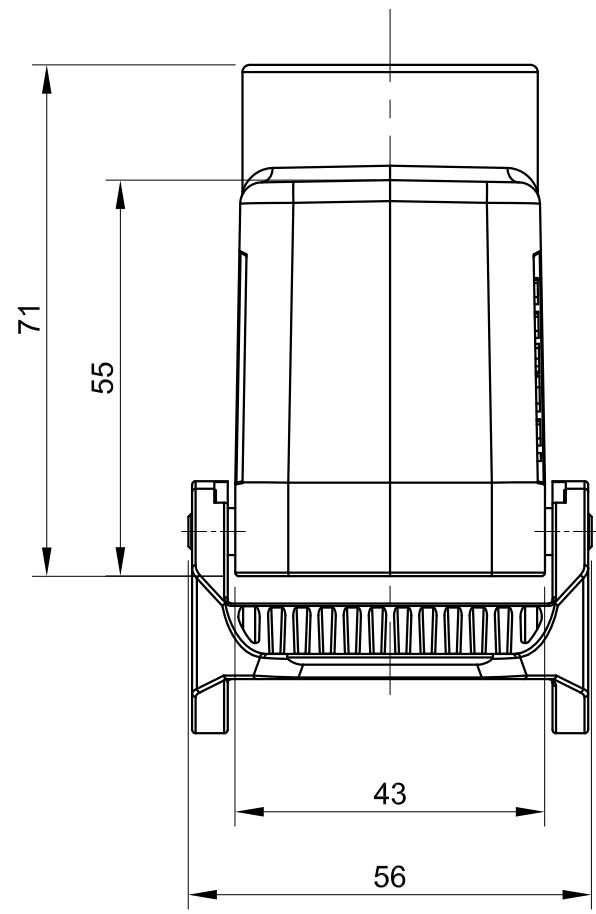
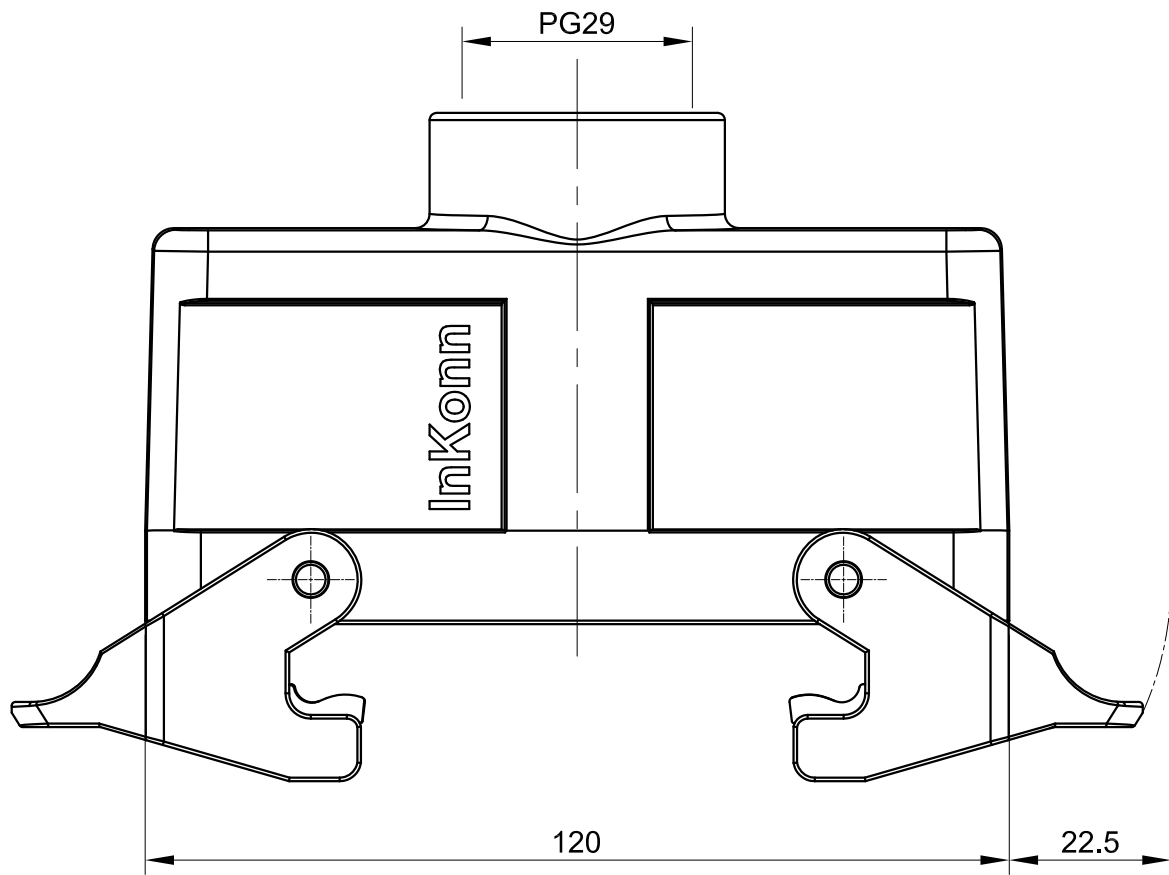
D



A

B

C

D



 All Dimensions in mm Original Size DIN A4	Date 2019-05-12	Drawing No. TC5540442	Rev. A00	Scale 1:1
	Part No. 10 11 824 0024	Created by Shuxu Huang	Checked by Yiyi Luo	Page 1/1
 InKonn® InKonn (Suzhou) Electric Technology Co.,Ltd.				
Type Name HB24-TE-DL-PG29				

1

2

3

4

5

6